



Assembly Instructions

Roll-A-Deck Kit[®] for StageTek[®] Staging System

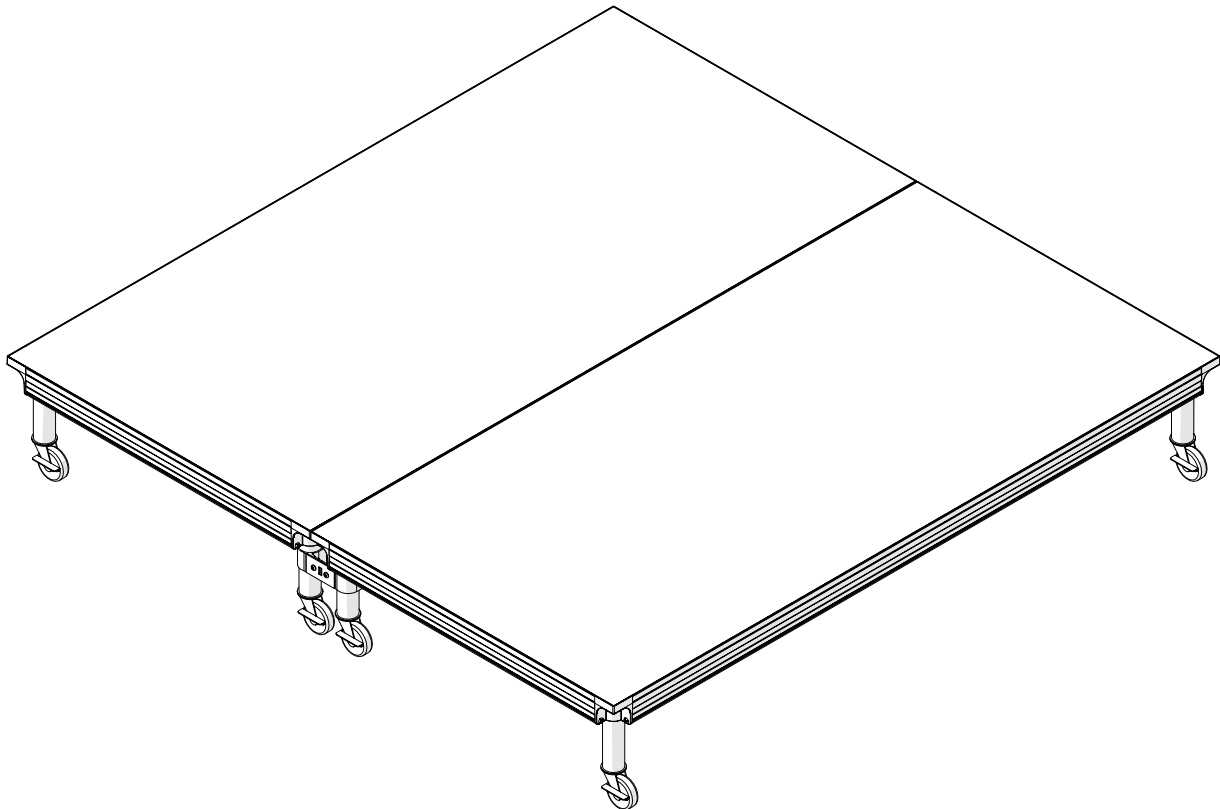
Basic Instructions only!
For more detailed product information, refer to the StageTek Staging System Owner's Manual 280A099.

⚠ CAUTION

Make sure anyone assembling or installing StageTek components has read and understands the instructions.

⚠ CAUTION

Always comply with Warnings or Cautions in the instructions or posted on the equipment.



Visit the StageTek Staging System web page at wengercorp.com for more information.

Note: Please read and understand these instructions before assembling or setting up.

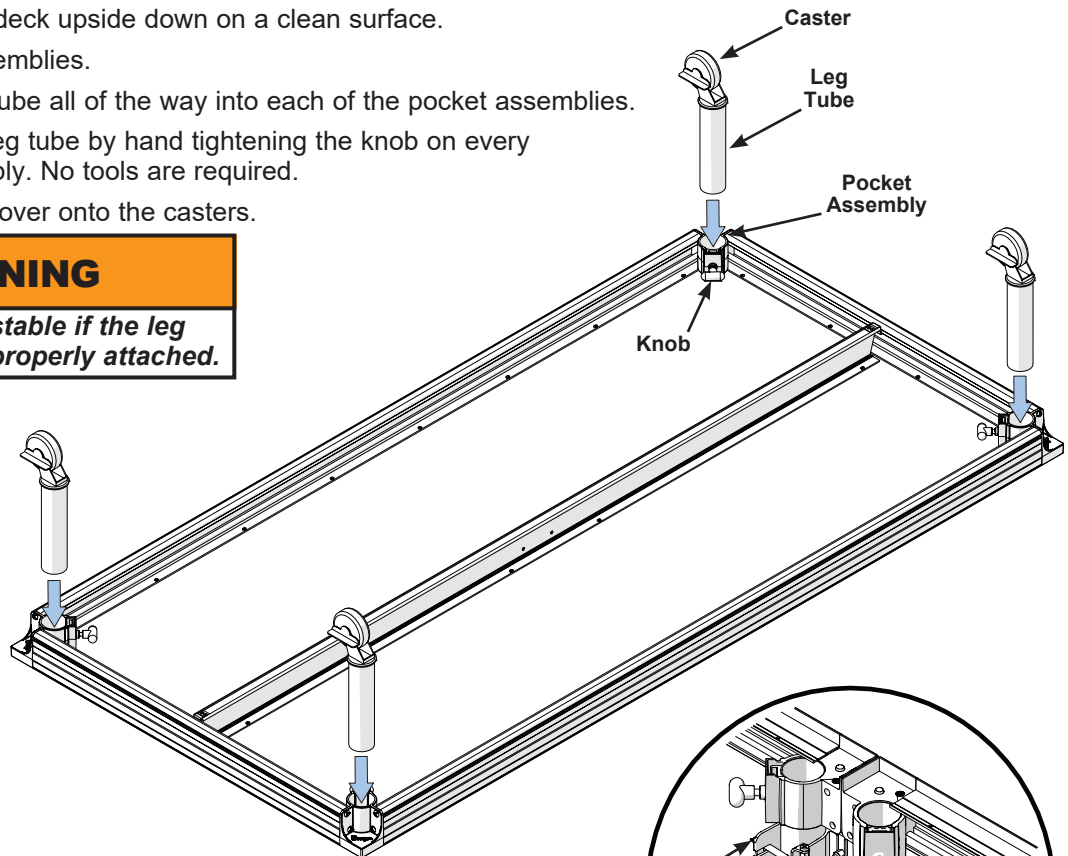
Note: If you need additional information, contact Wenger Corporation using the information below.

Assembly

1. Lay the StageTek deck upside down on a clean surface.
2. Attach the leg assemblies.
 - a. Insert the leg tube all of the way into each of the pocket assemblies.
 - b. Secure each leg tube by hand tightening the knob on every pocket assembly. No tools are required.
 - c. Turn the deck over onto the casters.

⚠ WARNING

The deck can be unstable if the leg assemblies are not properly attached.



Multiple Roll-A-Decks can be connected together.

1. **For best stability, attach connectors as high up on the leg tube as possible.**
2. With the flat side facing out, fit the connector over the adjacent leg tubes.
3. Attach the connector to each leg tube by closing the bolt and securing with a wing nut.

